

STLB Series

Surge-Trap®

SURGE PROTECTIVE DEVICE

IN-LINE SPD FOR LED LIGHTING APPLICATIONS



Mersen's SPD for LED lighting applications, the STLB series is a universal solution with enhanced safety delivering peace-of-mind to users and installers. A single device is suitable for single, split, or three-phase applications; can be installed in series or parallel with the luminaire; features leakage current free technology and visual end-of-life indication. It is also UL Recognized (cURus) and IEC certified.

FEATURES AND BENEFITS:

- Universal, certified SPDs which can be safely used in any luminaire and any installation
- Common applications: Roadway Lighting, Parking Lot/Garage Lighting, indoor/outdoor LED signage, industrial manufacturing facilities, all critical 24/7 applications
- Parallel or series connected device
- End-of-life indication via LED or series disconnection
- Leakage Current Free
- Global Compliance to ANSI/UL/CSA and IEC
- Versatile mounting design accommodates vertical or horizontal mounting
- 2-year warranty

RATINGS:

- **Volts (U_n):** 100-277VAC
- **Nominal Discharge Current Rating (I_n):** 3kA
- **Surge Capacity (per phase and per mode):** 10kA
- **Short-Circuit Current Rating (SCCR):** 10kA
- **Load Current Rating (I_L):** 2.5A
- **IEEE C62.41.2 Location Category:** C-High 10kV/10kA

APPROVALS:

- ANSI/UL1449 4th Edition, Type 4 SPD, File E468946
- EN 61643-11 Type 2+3 SPD
- RoHS Compliant

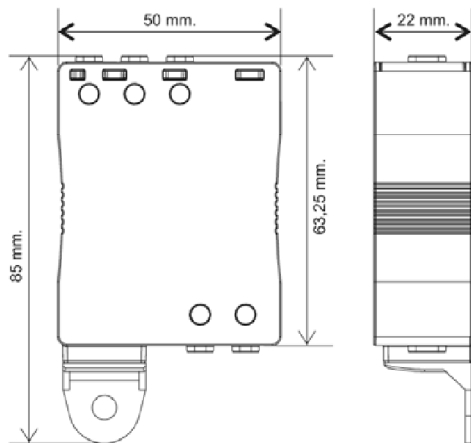


General Product Specifications

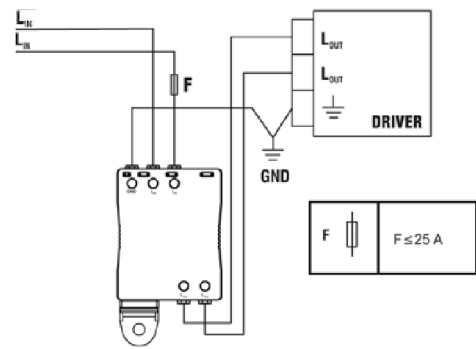
Mounting:	5.5mm Diameter Mounting Hole	Operating & Storage Temperature:	-40°C to +85°C
Wiring:	Screw Terminals (0.7 Nm)	Relative Humidity Range:	5 to 95%
Wire Range:	14-18 AWG Solid/Stranded Cu	Visual End-of-Life Indicator:	GREEN = OK, OUT = REPLACE
Connection:	Series or Parallel	Frequency:	50-60Hz
Enclosure:	IP20	Maximum Back-up Fuse:	Mersen AJT25
Flammability:	UL 94 V-0	Response Time (L-L, L-G):	25ns, 100ns

REFERENCE NUMBER	CATALOG NUMBER	SYSTEM VOLTAGE AND CONFIGURATION	I _n	MAXIMUM CONTINUOUS OPERATING VOLTAGE (MCOV, U _c)		MEASURED LIMITING VOLTAGES [MLV]	
				L-G	L-L	L-G	L-L
83230320	STLBT23-10K320V-C3U-DD	120V Single Phase 240V Single Phase 240/120V Split Phase 208Y/120V 3-Ph WYE 480Y/277V 3-Ph WYE 240V 3-Ph DELTA	3kA	320	320	1020	1340

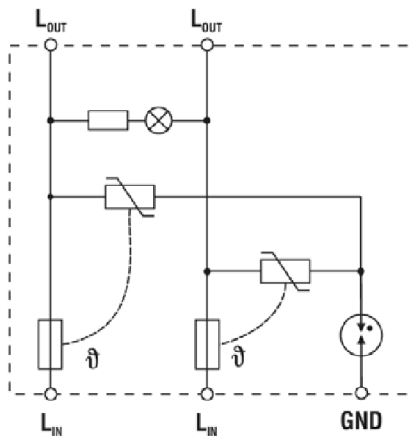
Dimensions



Wiring Diagram: Series



Electrical Diagram



Wiring Diagram: Parallel

